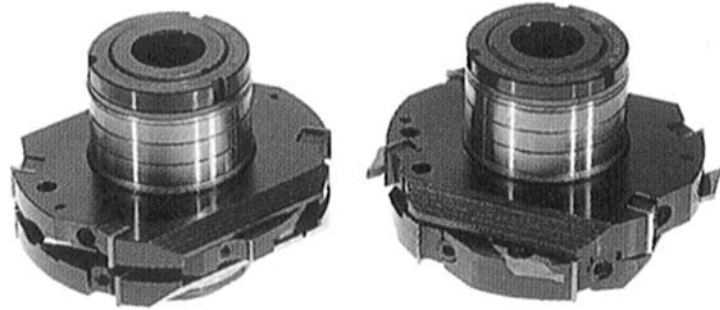
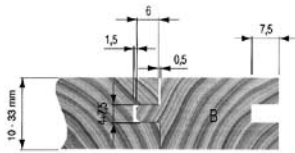


STARK TH20 Adjustable Tongue and Groove Insert Cutterheads with Reversible Knives

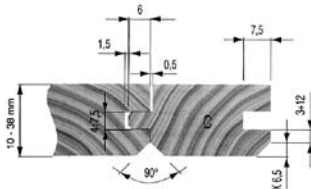
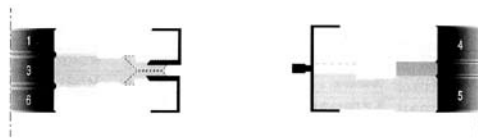


A very versatile cutterhead set that is adjustable by means of spacing collars in order to obtain flooring and V-panel microbevel, wall profiles of your desired width on moulding machines. The sets are supplied with assembly bushing sleeves.

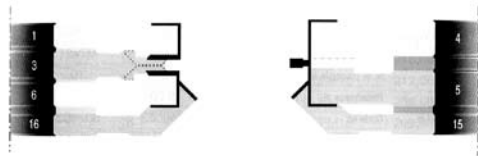
Please specify your arbor size.



FACE DOWN



**MICRO-BEVEL or
V-PANELING**



Be sure to see our internet site for a complete listing of available profiles.

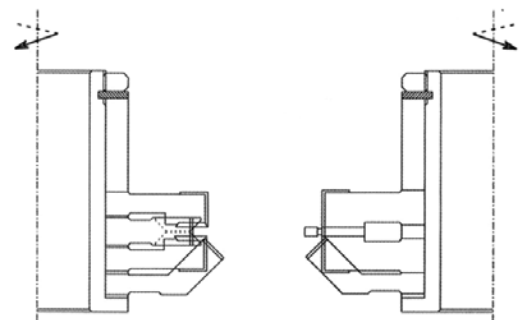
- For moulders, shapers and tenoners
- Micro-bevel and v-groove paneling
- Includes nail groove
- For stock 7/16" to 1-1/4" thick
- For feed rates of 30 to 60 FPM
- Uses standard indexable knives

PART NO.	MAX DIAMETER	BORE SIZE OPTIONS
TH20TB	165mm	1-1/4", 1-1/2", 40 mm, 1-13/16"
TH20GB	165mm	1-1/4", 1-1/2", 40 mm, 1-13/16"

SPARE KNIVES

TH20TB					
PART NO.	600002	600003	600201	600601	600602
DIMENSIONS	12x12x1.5	15x12x1.5	14x14x2	Bevel-top	Bevel-bot

TH20GB				
PART NO.	600002	600004	600703	600704
DIMENSIONS	12x12x1.5	20x12x1.5	4mm bot	4mm top



**TH20TB TH20GB
FOR FEED RATES OF 30 TO 60 FPM**