

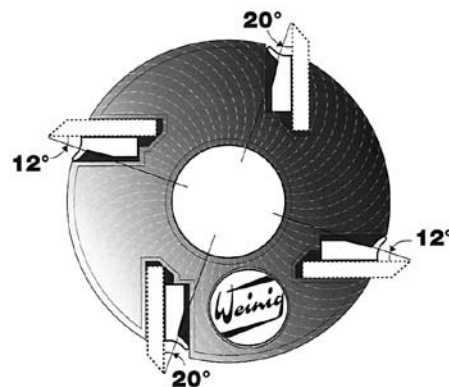
## Weinig Dual Angle Cutterhead Type 513

*One versatile cutterhead does both hardwoods and softwoods by offering both 12° and 20° cutting angles.*

Straight Bore cutterheads with two knives at 20° cutting angle, and with two knives at 12° cutting angle. Otherwise, similar to Type 503.

*TWO/TWO KNIVES - Bore Diameter: 1-1/2"  
 Tool Diameter 122mm ( 4-13/32")*

No. of Knives	Width Inches	Width mm	12°/20° Cutting Angle Part #
2 + 2	2-23/64"	60	WEI-513-122-22
2 + 2	3-15/16"	100	WEI-513-122-23
2 + 2	5-29/32"	150	WEI-513-122-24
2 + 2	7-3/32"	180	WEI-513-122-26
2 + 2	9-1/16"	230	WEI-513-122-25
2 + 2	9-29/64"	240	WEI-513-122-74



Additional clamping wedges, screws and hydro clamping sleeves available separately.

Advise cutterhead size or part number when ordering.

*TWO/TWO KNIVES - Bore Diameter: 1-13/16"  
 Tool Diameter 137mm (5-13/32")*

No. of Knives	Width Inches	Width mm	12°/20° Cutting Angle Part #
2 + 2	2-23/64"	60	WEI-513-137-26
2 + 2	3-15/16"	100	WEI-513-137-27
2 + 2	5-29/32"	150	WEI-513-137-28
2 + 2	7-3/32"	180	WEI-513-137-33
2 + 2	9-1/16"	230	WEI-513-137-29
2 + 2	9-29/64"	240	WEI-513-137-30

## Weinig Safety Locking Collars

*For # 504 Hydro Heads*

Part Number	Description
WEI-WNW-101719	Safety Locking Collar for 1-13/16" spindles
WEI-WNW-101720	Safety Locking Collar for 2-1/8" spindles

For clamping together with less than full-width hydro-clamping cutterheads as a preventative measure against the tool loosening and spinning on the cutting shaft.



## Grease Zerk, Pressure Release & Gib Screws

*for Weinig, Wadkin, WKW & Other Heads*

Part Number	Description
Grease Zerk New	M10X1 Grease fitting w/improved seal design
PRESREL Screw New	Pressure release screw M10X1 w/improved seal design
GS Weinig 10mm	M10 x 20mm Wedge (Gib) Screw
GS Weinig 12mm	M12 x 20mm Wedge (Gib) Screw

