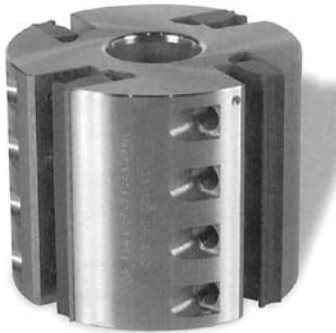


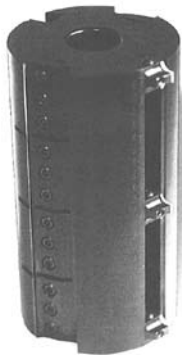
WEINIG CUTTERHEADS

Wood Tech Enterprises, Inc. is pleased to offer original Weing tooling to our customers. For decades, the name Weing has been synonymous with superior quality. Weing's technological prowess and size provide dependable state-of-the-art tooling.

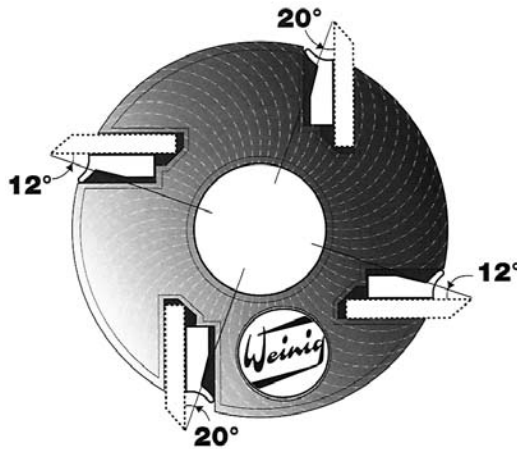
Wood Tech is committed to providing the widest selection of tooling available in the woodworking industry today. Call us for more information on these and other available Weing tooling products.



#503 Straight Bore Cutterhead



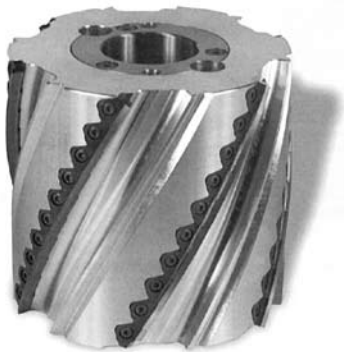
Combination Head



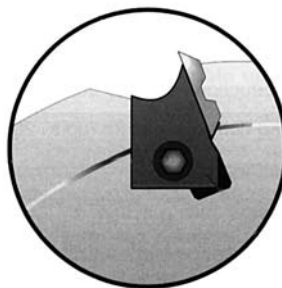
#513 Dual Angle



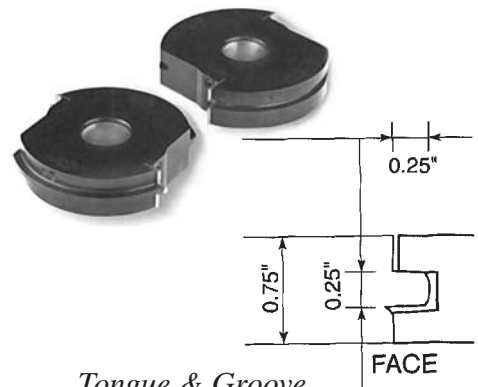
#538 Powerlock



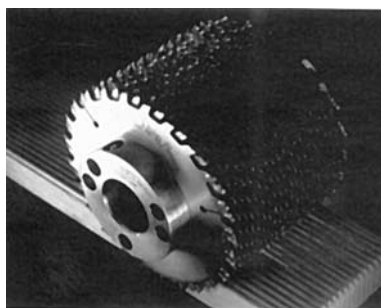
Hydro Spiral Head



Centro-Loc



*Tongue & Groove
Cutterheads*



Splitting Saws



#504 Hydro-Loc Head



Spiral Insert Head